

HD-Stabilizer links



as OE



Problem

Intense strain causes wear and stress of the components

Effect

Premature failure of the ball joint
Noise from the front axle



Solution

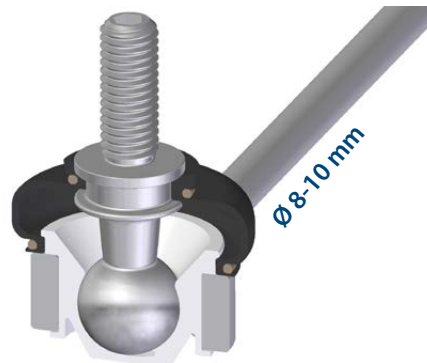


- Enlarged ball diameter (22 mm)
- Reinforced link rod
- MEYLE high-tech grease
- Wear resistant blue plastic seat

Advantage

Significantly longer service life thanks to reinforced design

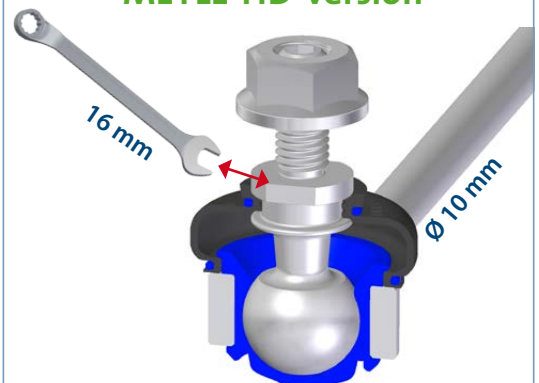
as OE



Ø 16-20 mm

Ø 8-10 mm

MEYLE-HD-version



Ø 22 mm

16 mm

Ø 10 mm