



MEYLE[®]
Products

MEYLE No.

16-14 610 0021/HD

Reference No.

5450000011R*

545000001R*

545000002R*

545010008R*

545010012R*

**Part of" - MEYLE part
is only a component
of the OE reference



Control arm bushing to fit Renault Laguna III, Coupé



as OE



Problem

Leakage of hydro fluid due to high dynamic loads and only partial rubber-metal bond

Effect

Noise and reduced driving and braking safety



Solution

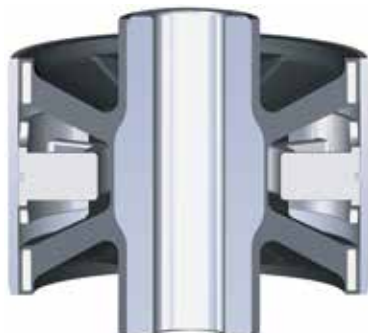


Replacement of the hydromount with an optimized all-rubber mount with a generously-dimensioned rubber-metal bond

Advantage

No leakage possible and significant longer lifetime without restriction of driving comfort

as OE



MEYLE-HD-version

