



MEYLE[®]
Products

MEYLE No.	Referenz No.
Bushing: 36-14 610 0010/HD	54500-JD000, 54501-JD000, 54501JY00A, 545040445R, 545055212R
Control arm, left: 36-16 050 0059/HD, 36-16 050 0007/HD	54501-1KA1B

Control arm, right: 36-16 050 0060/HD, 36-16 050 0008/HD	54500-1KA0B
---	-------------

Repair kit, control arm: 36-14 653 0000/HD
--

Control arm bushing

to fit

Nissan Juke, Qashqai, X-Trail | Renault Koleos



as OE



Problem

- > Folding of the rubber that leads to tears and premature failure of the bushings
- > Failure of the rubber to metal compound on the middle bushing due to intense strain

Effect

Loud noise and reduced driving and braking safety



Solution

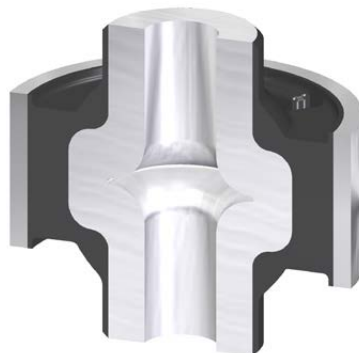


- > Reinforcement of the rubber to metal compound by redesigning the inner bushing
- > Folding of rubber no longer possible
- > More even distribution of stresses within the bushings

Advantage

- > Enhanced part design for significantly longer service life
- > Improved constant driving pleasure

as OE



MEYLE-HD-version

