

Correct reset of the EPB (electric park brake) from TRW

Before starting any maintenance work on the TRW EPB, the system has to be set into maintenance mode using a suitable diagnostic tester. TRW recommends reading out the error codes of the EPB before starting any maintenance work.



Attention: Improper handling of these brake systems may result in damage. Please follow the vehicle manufacturer's instructions for changing brake pads and replacing individual parts.

Before any maintenance work can be carried out on the TRW EPB, the pressure nut (fig. 1) has to be moved back to the starting position (fig. 2) using a suitable tester.

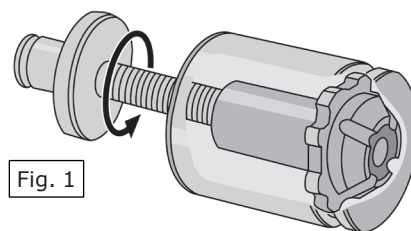


Fig. 1

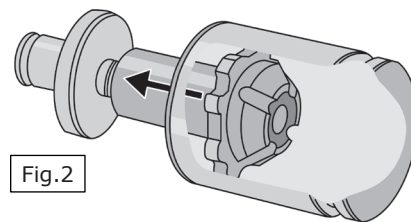
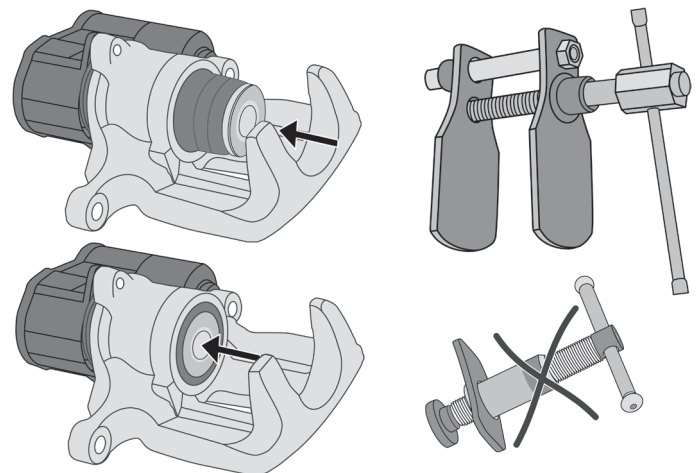


Fig. 2

Now the brake piston can be pushed back completely using a suitable tool. All pistons have to be pushed back and **NOT** rotated/screwed back!

Rotating a brake piston back can result in the destruction of the spindle mechanism!



To complete the work, the EPB has to be closed and calibrated with the diagnostic tester. Please observe the vehicle manufacturer's instructions.

TRW recommends reading out the error memory again upon finishing the task.

