



## LuK Service Info



# Part Nr: 230 0017 11 — 280/295mm TGU6

Manufacturer: MERCEDES

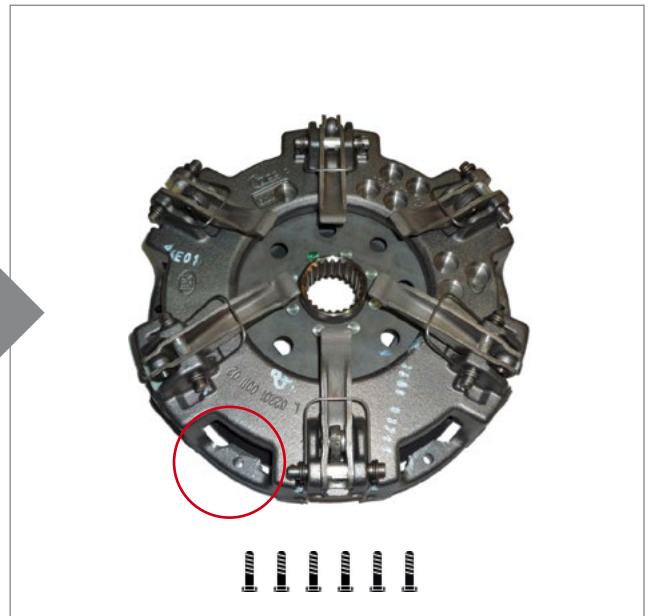
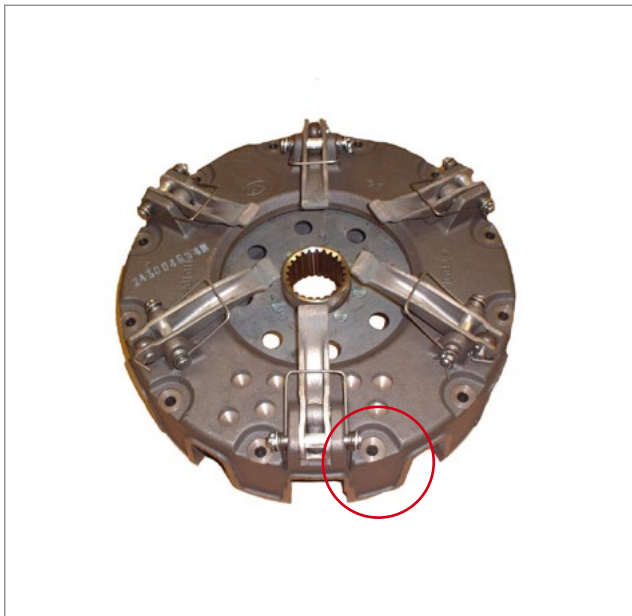
Info: New design/Neues Design/  
Nouvelle conception/Nuevo diseño/  
Nuovo disegno

Model: MB-TRAC

Art.-Nr.: 230 0017 11

This new design utilises the latest clutch technology, using a vented housing for improved cooling and heat dispersal.

Early 12 bolt design clutch 230 0017 11 was fitted to 8 bolt fixation flywheel.  
**New design clutch using 6 bolt fixation requires a new flywheel [OEM ref: A314 030 39 05].**  
 A new fixation bolt set 6xM8x1.25x50mm is supplied with new design to accommodate the lower housing.



- For accurate model information please see LuK catalogue
- Die genaue Fahrzeugzuordnung entnehmen Sie bitte dem LuK-Katalog
- Pour plus d'information sur les applications veuillez vous référer au catalogue LuK
- Para obtener información sobre el modelo, rogamos consulte el catálogo de LuK
- Per informazioni sul modello consultare il catalogo LuK

### You want more? We can help!

Phone: +44 (0) 1432 264 264  
 Fax: +44 (0) 1432 375 760  
 aftermarket.uk@schaeffler.com  
 www.repxpert.co.uk

SCHAEFFLER  
**REPXP**PERT