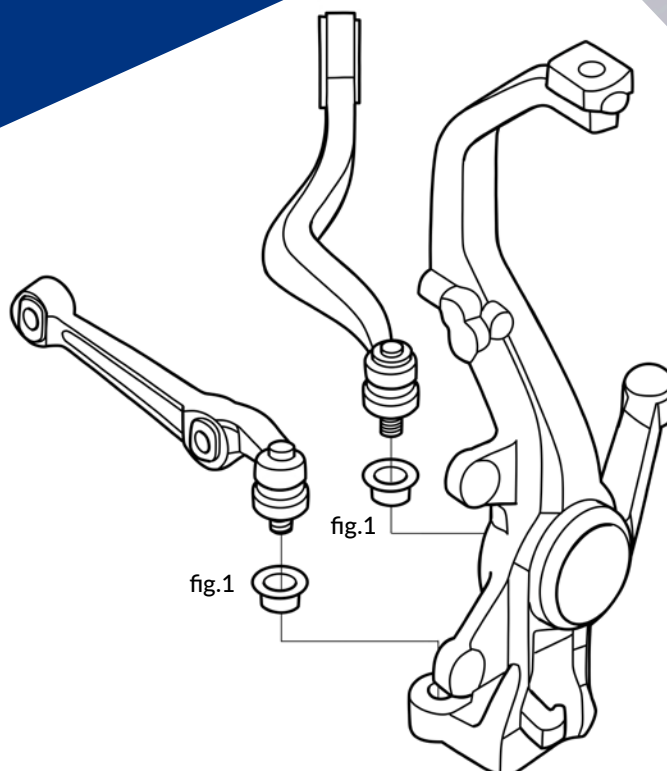


Blue Print ADM58644, ADM58645, ADM58646, ADM58690

to fit:
Mazda 6 GG and GY models



EN



Problem

When replacing the lower suspension arm, the ball joint does not locate securely into the steering knuckle.

The diameter of the hole where the lower suspension arm ball joint locates into the steering knuckle is too large, allowing too much movement in the fitment.

Cause

The steering knuckle has a sleeve (fig 1) fitted where the ball joint locates. This can stay attached to the old ball joint during removal.

Solution

Remove the sleeve from the old lower suspension arm ball joint and refit it to the new ball joint. If the old sleeve is damaged while being removed, then a new one will need to be obtained.

Please note: The front and rear sleeves pictured are not interchangeable.

For more technical information please visit: partsfinder.bilsteingroup.com